

## GENERAL INFORMATION:

MiraTEC was conceived and engineered to resist moisture, rot and termites, so it is perfect for exterior non-structural applications. It handles like wood and MiraTEC is a reversible product with woodgrain texture on one side and a smooth surface on the other while MiraTEC Smooth Select has an ultra smooth finish. Plus, MiraTEC is building code compliant in the U.S. (ESR-3043 from the ICC-ES), Florida Building Code 21656.1, and in Canada (CCMC 14015-L from the Canadian Construction Materials Centre). It is the responsibility of the purchaser, general contractor, installer and others who are using or installing this product to assure that the product is installed properly and that all building codes and industry standards regarding the installation and use of composite wood trim products are followed.

## CUTTING:

Use a fine-tooth hand saw or power saw with a combination blade. Cut into the exposed face of the material. Carbide-tipped blades are recommended.

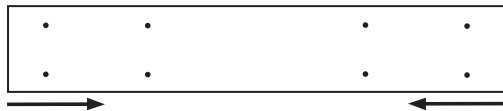
## FASTENING REQUIREMENTS:

MiraTEC trim is a non-structural decorative trim product and should not be used where structural lumber properties are required. MiraTEC trim is designed to be applied to structural framing, sheathing and other materials.

\* **Note:** Nail at least 1/2" from the edge. Do not nail into the edges of MiraTEC trim. For 4/4 and 5/4 fascia and soffit applications, MiraTEC trim can be fastened directly to the rafter ends, double nailed a maximum of 24" on center. For 5/8" fascia and soffit applications, MiraTEC trim must have a sub-fascia and be nailed 16" on center to the rafter ends or sub-fascia. For all other horizontal and vertical applications, double nail 16" on center, falling on the studs. MiraTEC Smooth Select must be applied with the grooved side facing in.

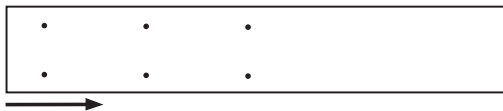
**DO NOT** nail toward the center from both ends.

### INCORRECT



Fasten MiraTEC trim from one end to the other end.

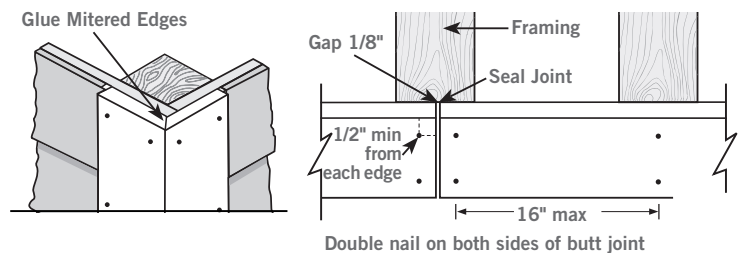
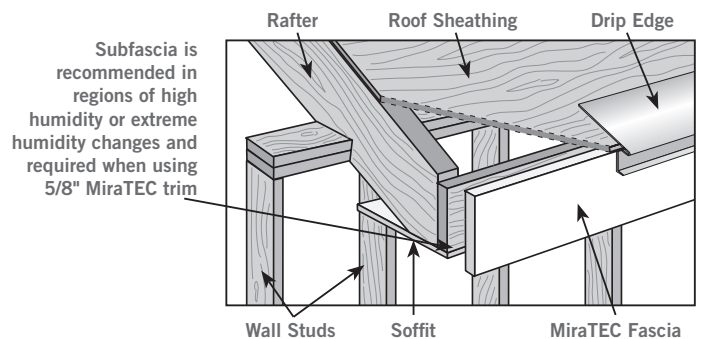
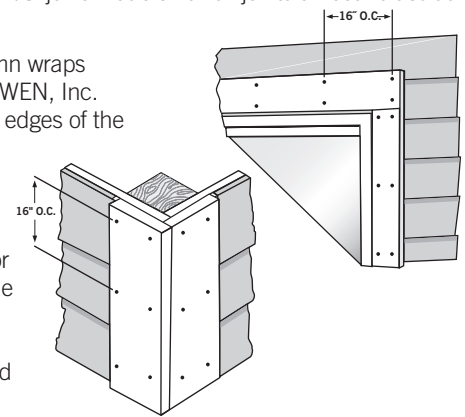
### CORRECT



## BUTT JOINTS:

All joints must fall over a framing member. MiraTEC trim can be mitered, scarfed, or beveled as required. Use caulk or sealant on all field cut and raw ends for butt, mitered, scarfed or beveled joints. For runs less than 30 feet in length, butt joints should lightly touch. For runs over 30 feet in length, space all butt and scarf joints 1/8" apart and apply sealant into the full depth of the 1/8" joint. Double nail all joints on both sides as noted in the diagram.

When mitering for column wraps or corner boards, JELD-WEN, Inc. recommends gluing the edges of the trim to maintain a tight joint. JELD-WEN, Inc. recommends a high quality exterior grade yellow carpenters glue or high quality polyurethane adhesive. Lightly ease the edge of the finished corner with 220 grit sand paper for best paint adhesion.



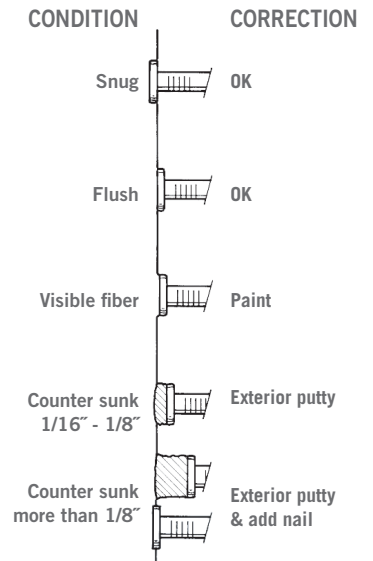
**FASTENERS:**

Always use fasteners appropriate to the style of construction where the trim is installed. Fasteners must be equal or better in performance (such as nail withdrawal, bending strength and corrosion resistance) to 6d or 8d 16 gauge finish nails or headed nails, long enough to penetrate 1-1/4" into structural wood studs or studs and structural sheathing material. Use corrosion resistant nails. For buildings utilizing steel studs, use ET&F fasteners: AST-075 for 4/4 MiraTEC and AST-100 for 5/4 MiraTEC. For installations near oceans, large bodies of water or in high humidity climates, JELD-WEN, Inc. recommends using stainless steel fasteners on MiraTEC trim. For these installations, do not use electro-galvanized fasteners, due to poor long term rust resistance. For specific questions related to these installations, please consult directly with JELD-WEN, Inc. by sending an email to miratec@jeldwen.com.

Power or pneumatic nailing systems may be used. Visit [www.miratectrim.com](http://www.miratectrim.com) for information on air pressure settings on a variety of pneumatic nailers. Tapered or bugle head fasteners are permitted when the heads are properly sealed from moisture.

Nail heads, or any other dents, can be filled with exterior grade spackling putty specifically designed for filling nail holes. Allow putty to dry, sand smooth with 100 grit sandpaper and spot prime before painting. Over time, spackling putty may need to be replaced or touched up. For the best aesthetic appearance when using the smooth side of MiraTEC trim, additional work is required. The nails should be set flush or slightly countersunk (not to exceed 1/8"). Then apply the spackling putty as outlined above. Reapply the putty as needed for desired appearance.

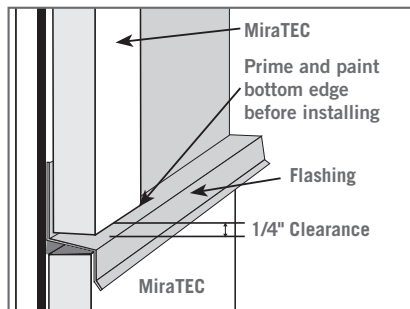
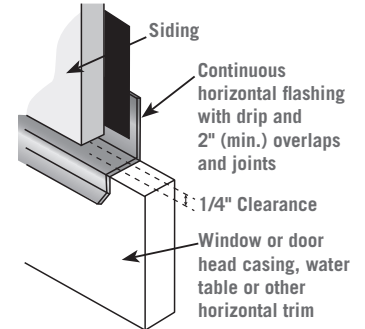
Use a nail that is appropriate to the style of construction. Do not use staples, brads, or t-nails.



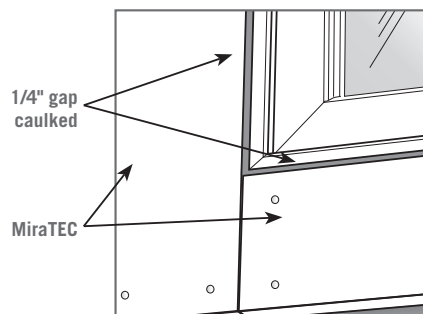
**FLASHING AND MOISTURE CONTROL:**

The structure on which MiraTEC trim is applied should be well ventilated and dry. Do not apply MiraTEC trim over wet sheathing, or any closer than 6" to finished grade such as flower beds, mulch, or final landscaping per local building codes. As with all wood products, MiraTEC trim should not come in direct contact with masonry or concrete. At foundations, decks, flooring, exterior brick veneer or other materials, the product should be separated from the surface by metal flashing, polyethylene film, 30 lb. felt or a 1/4" air space using masonry standoffs. In all applications, MiraTEC trim should not be allowed to stand in water or sit directly on another surface, regardless of the material.

**Seal the trim applications to prevent water intrusion. Do not allow water to stand on or leak behind any MiraTEC trim. MiraTEC trim used in a horizontal application, including window and door headers, must be properly flashed in accordance with the siding manufacturers', window manufacturers' or door manufacturers' application requirements and local building codes.**

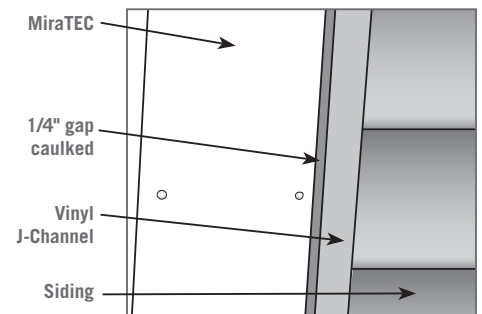


When vertical trim meets flashing at the top of trim or siding, provide a 1/4" clearance from the bottom of the trim to the top of the flashing.



**Windows:**

Maintain a min 1/4" gap and fill with caulk where the MiraTEC butts against windows. If the window installation instructions call out a different gap, then default to their published instructions.



**Vinyl J-Channel:**

Maintain a min 1/4" gap and fill with caulk where the MiraTEC butts against vinyl j-channel. This applies for both vertical and horizontal applications of trim and j-channel.

## ADHESIVES:

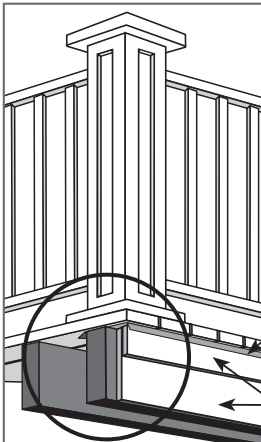
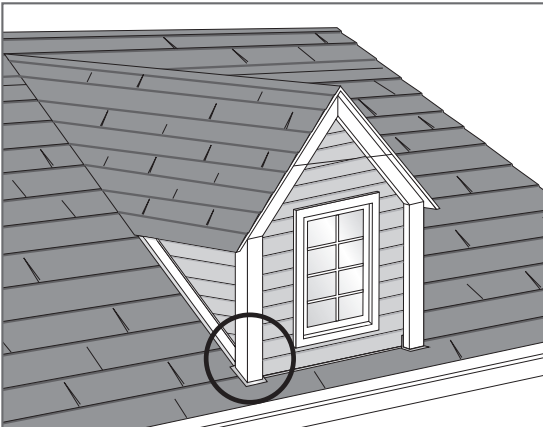
Glues or adhesives can be used on MiraTEC trim, such as on mitered joints for outside corners or column wraps. JELD-WEN, Inc. recommends a high quality exterior grade yellow carpenters glue or a high quality polyurethane adhesive. For a full listing of recommended adhesives go to [miratectrim.com](http://miratectrim.com).

## SEALANT:

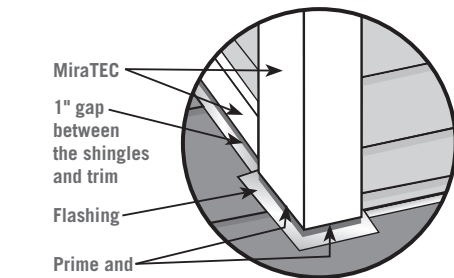
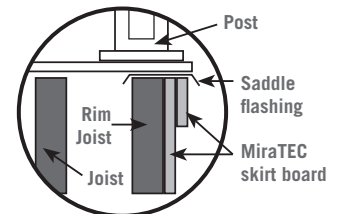
Sealant is required at all joints and where MiraTEC trim abuts siding, windows, doors, other materials or other MiraTEC product. Use only exterior quality sealant that remains flexible over time. Do not use hard-setting caulk. Apply caulk according to the manufacturer's written instructions. JELD-WEN, Inc. recommends caulks and sealants that meet ASTM C920. Do not use Bondo® or similar hard setting fillers or putties on MiraTEC trim. They will crack over time due to the natural expansion and contraction of the trim. The purchaser, general contractor, installer and others who are using or installing this product are responsible for insuring that a proper caulk joint is installed that is compliant with the local building code, industry standards and to insure that it coats the full depth of any joints. For a full listing of recommended sealants go to [miratectrim.com](http://miratectrim.com).

## OTHER APPLICATIONS:

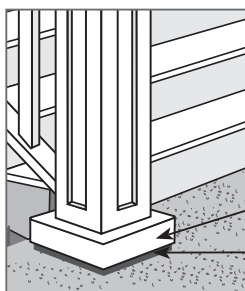
For applications near rooflines, such as dormer and chimneys, the trim should be installed with a minimum of 1" clearance between the roofing and the bottom edge of MiraTEC trim. At the junction of the roofing material and vertical surfaces, flashing is required per the roofing manufacturers' application requirements and local building codes.



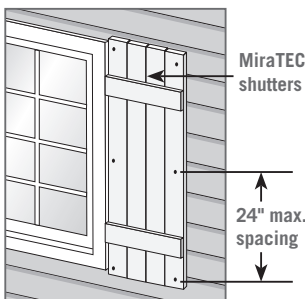
When facing the skirt boards on deck, properly flash the top edge to prevent water from getting behind the trim. As a substitute for flashing, use 1/2" standoffs to provide a space behind the backside of the trim and the deck joist.



MiraTEC  
1" gap between the shingles and trim  
Flashing  
Prime and paint bottom edge before installing. Also all miter joints should be glued and caulked



Properly flash and space at least 1/2" from any flatwork (such as porches, patios, decks, or driveways) or horizontal brick ledge. Prime and paint bottom edge before installing. Also all miter joints should be glued and caulked.



MiraTEC trim can be used to make decorative shutters. The shutter must be fastened to the home a minimum of 24" on center around the perimeter of the shutter as shown in the illustration. Working shutters will not be covered by the MiraTEC limited warranty based on the inability of providing adequate fastening on the non-hinge side of the shutter.

### INTERIOR USE:

Any MiraTEC used for interior applications must first be “climatized” prior to installation. “Climatization” involves stacking the MiraTEC in the room environment which they are going to be installed for at least 48 hours prior to installation. Ideally, it should be separated to allow air to circulate.

### SURFACE PREPARATION:

The surface to be painted must be free of dust, dirt, mildew and other foreign materials before painting. Wash with water and a mild detergent to remove dust and dirt. Allow the surface to dry before painting. If mildew is present, contact a paint supply store for recommended methods of removing and controlling mildew.

### PAINTING/FINISHING REQUIREMENTS:

MiraTEC trim is manufactured from wood and must be painted with an exterior coating system in accordance with the following specifications to fulfill the limited warranty requirements.

Use a high quality exterior grade acrylic latex paint or oil/alkyd solvent based paint system recommended by the paint manufacturer for application over composite wood substrates. Always follow the paint manufacturer's recommendations for the application and maintenance of field applied paints. The following topcoats are not recommended by JELD-WEN, Inc. nor most paint manufacturers because of short service life, poor protection against UV light, and higher potential for performance problems:

- Shake and shingle paints
- Flat oil paint
- Vinyl acrylic paint
- Vinyl acetate paint
- Vinyl acetate co-polymer paint
- Clear coatings
- Transparent or semi-transparent stains
- Opaque solvent stains

Paint performance is dependent upon the quality and quantity of paint applied, and the conditions under which it is applied. Low quality paint and/or thinly applied paint tends to last for a relatively short time, resulting in discoloration, premature fading, inadequate substrate protection, and frequent repainting (sometimes as often as annually or once every two years). Top quality paint, applied in sufficient quantity, will provide the best performance with minimum maintenance. **Follow the coating manufacturer's recommendations when selecting and applying a paint. Refer to the MiraTEC trim limited warranty for long term care and maintenance guidelines of MiraTEC trim.**

### PAINT APPLICATION:

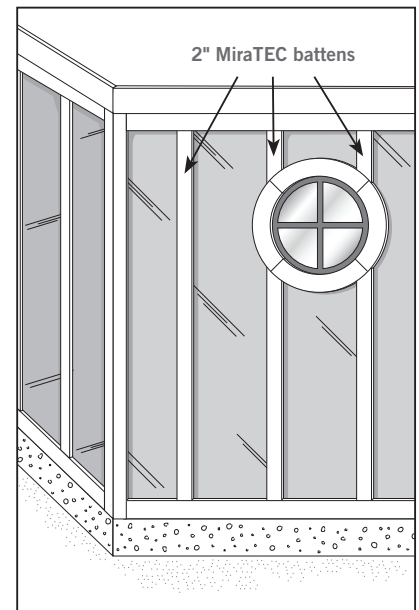
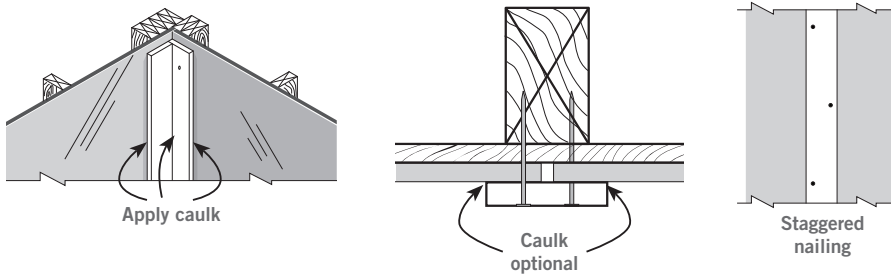
1. Prime and paint all raw and field cut ends of MiraTEC trim which will be exposed to the weather. Use a high quality exterior primer and paint formulated for use on composite wood.
2. Coat all surfaces including the bottom edge.
3. Finish MiraTEC trim with two coats of paint within 90 days of installation. If, due to unforeseen circumstances, the material is not painted within 90 days, reprime the MiraTEC trim using an exterior primer that is specifically recommended for use on composite wood products and is compatible with the topcoat to be used. Use the same primer for repair of any damage to the original factory-applied primer.
4. A total field-applied dry film paint thickness of a minimum of 2½ mils is required on MiraTEC trim. This requires the application of two or more unthinned coats of paint at the spread rate recommended by the paint manufacturer. **Note: The paint manufacturer may require a primer and topcoat combination. Follow all paint manufacturers' recommendations.**
5. Paint performance can be impacted by ambient temperature and the time of day the paint is applied. Contact your paint supply source for more information on applying the coating for maximum results. Most companies can be contacted via a toll free number or website for specific information. Consult your retail store for information.

**JELD-WEN, Inc. is not responsible for the performance of field applied finishes. Finish performance is dependent upon coating quality and application methods. These factors are controlled by the finish manufacturer and applicator.**

## BOARD AND BATTEN APPLICATION:

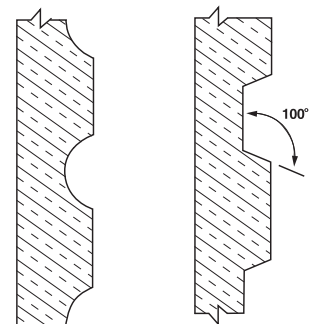
MiraTEC trim is not approved for use as a cladding or siding product. However, the 2" MiraTEC batten product is acceptable for use in a board and batten application. 2" MiraTEC batten can be applied directly on top of the board material, including but not limited to: fiber cement products, composite wood, and other wood products.

- Battens should fall over framing members. The required nailing pattern is single nails 12" on center, staggered pattern. Nails should be of sufficient length to have 1 1/4" penetration into the framing member.
- Vertical battens do not need to be caulked. The board butt joint behind the batten should be treated per the siding manufacturers' recommendations.
- Battens can also be screwed into boards and sheathing over framing members. Screw type should be a minimum of a 6 mm head with full thread penetration into the board or minimum of 3/4" into the framing member. The required screw pattern is single screws 12" on center, staggered pattern.
- A combination of nails and glue can also be used to fasten 2" MiraTEC batten.
- Treat all other applications per the full MiraTEC Application Instructions, such as inside and outside corners, butt joints and horizontal applications.



## MACHINING:

MiraTEC trim can be grooved or machined to produce a variety of decorative applications. The machined profile should not compromise the physical integrity of the board or induce cracking or splitting of the product. Routed or grooved MiraTEC trim should not have any flat surfaces where water can accumulate. Maintain an angle of at least 100 degrees from the vertical to provide positive drainage and to prevent moisture from standing on the surface. Re-prime and paint all machined areas with a high quality exterior oil or acrylic latex primer formulated for composite wood and paint that meets the requirements set forth under the Painting/Finishing requirements section of these instructions.

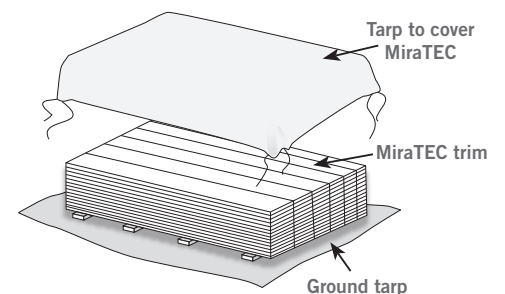


Examples of machining

## STORAGE:

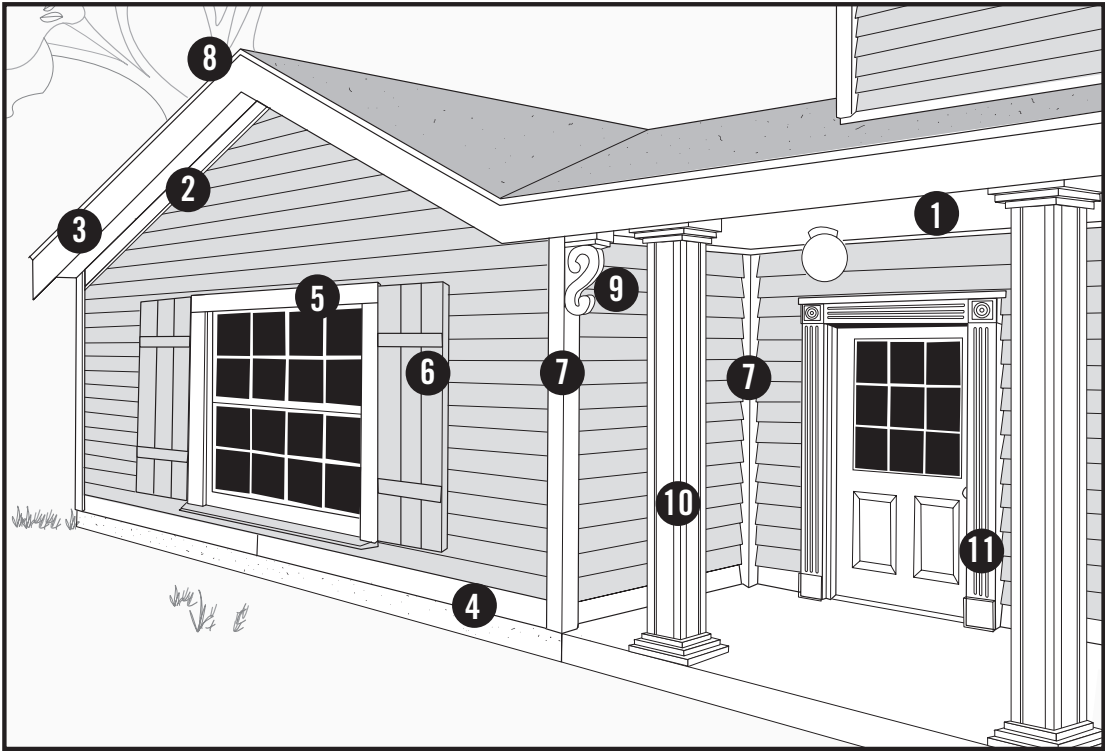
Cover when stored outside. Keep MiraTEC trim off the ground and dry. Excessive moisture pickup from improper storage may affect the performance of MiraTEC trim. Do not stack material in excess of 3 units high.

For job site storage, the material should be placed on stringers and covered, preferably on concrete, asphalt, or a similar surface. For all other instances, a tarp should be placed over the ground cover under the stringers, with the material still under cover.



**TYPICAL TRIM USES:**

MiraTEC trim can be used in a variety of applications as noted below.



- 1 Soffit
- 2 Frieze board
- 3 Fascia
- 4 Belly band or band board
- 5 Window trim
- 6 Shutter
- 7 Corner board
- 8 Rake board or shingle mold
- 9 Architectural porch detail
- 10 Column wrap
- 11 Fluted door casing

**IMPORTANT:** Read and understand all application instructions before installing material. The statements expressed in this technical bulletin are the recommendations for the application of the products as outlined and illustrated under normal conditions of installation. JELD-WEN, Inc. is a manufacturer of building materials. It does not practice architecture or engineering. The recommendations provided in this bulletin represent JELD-WEN, Inc.'s best judgement based on its experience to date with normal applications. These instructions supplement standard building practices and building code requirements; they are not to be deemed exclusive or exclusionary of these practices and requirements. Unless prior approval is obtained in writing from the Product Performance Department of JELD-WEN, Inc., PO Box 311, Towanda, PA 18848, any deviation from these recommended procedures shall be at the risk of the installers and may cause damage to the product itself.

These application instructions are the minimum requirements for the storage, application, and finishing of the trim products manufactured by JELD-WEN, Inc. If any surface is inadequately primed and painted or otherwise failed to be properly flashed, caulked or otherwise protected from continual moisture exposure, as set forth in the guidelines, it may lead to water intrusion and potential early deterioration or compromise of the product. JELD-WEN cannot anticipate the myriad of building conditions upon which its product may be installed. Where building code requirements or standards require additional care, steps, protection or procedures, the applicable regulations must be followed. If there is a discrepancy between these guidelines and any applicable building code requirements or standards or you encounter conditions not covered by this bulletin, you must consult with a building construction professional and may also contact the Customer Care Department of JELD-WEN. Consult your local representative or the Product Performance Department for conditions not covered by this bulletin. All drawings are shown for illustration purposes only and are not to scale. Adequate design and bracing of the walls, as well as compliance with these application instructions, are the responsibility of the architect, builder, applicator and painter.

**WARNING:** Drilling, sawing, sanding or machining wood products can expose you to wood dust, a substance known to the State of California to cause cancer. Avoid inhaling wood dust or use a dust mask or other safeguards for personal protection. For more information go to [www.P65Warnings.ca.gov/wood](http://www.P65Warnings.ca.gov/wood).