



## USING EXTIRA® PANELS FOR EXTERIOR MOULDINGS AND MILLWORK:

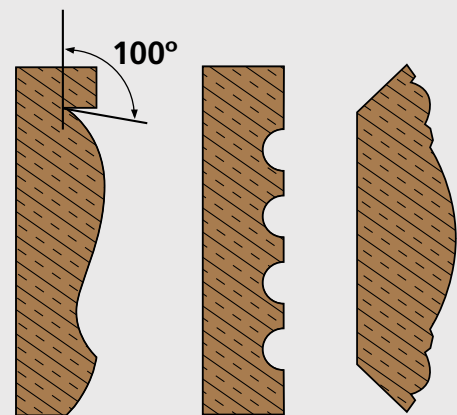
Extira was conceived and engineered to resist moisture, rot and termites, so it is perfect for exterior, non-structural applications. It handles like wood, but is smooth on both sides, and is sanded to meet caliper requirements of +/- 0.005".

### MATERIAL SELECTION:

Extira panels are available in the following thicknesses: 1/2", 5/8", 3/4", 1" and 1-1/4". For exterior moulding and millwork applications use 5/8" thicknesses or greater. If using 1/2", it must be mechanically fastened or laminated to another substrate. Use 5/8" or thicker panels for soffit applications.

### CUTTING AND MACHINING:

Use a fine-tooth hand saw or power saw with a combination blade. Cut into the exposed face of the material. Use only carbide-tipped or diamond-tipped blades with Extira panels. To produce decorative applications, rout, groove or machine Extira panels. The routed or grooved product should not have any surfaces where water can accumulate. Maintain an angle of at least 100 degrees from the vertical to provide positive drainage and to best ensure that moisture does not accumulate on the product.



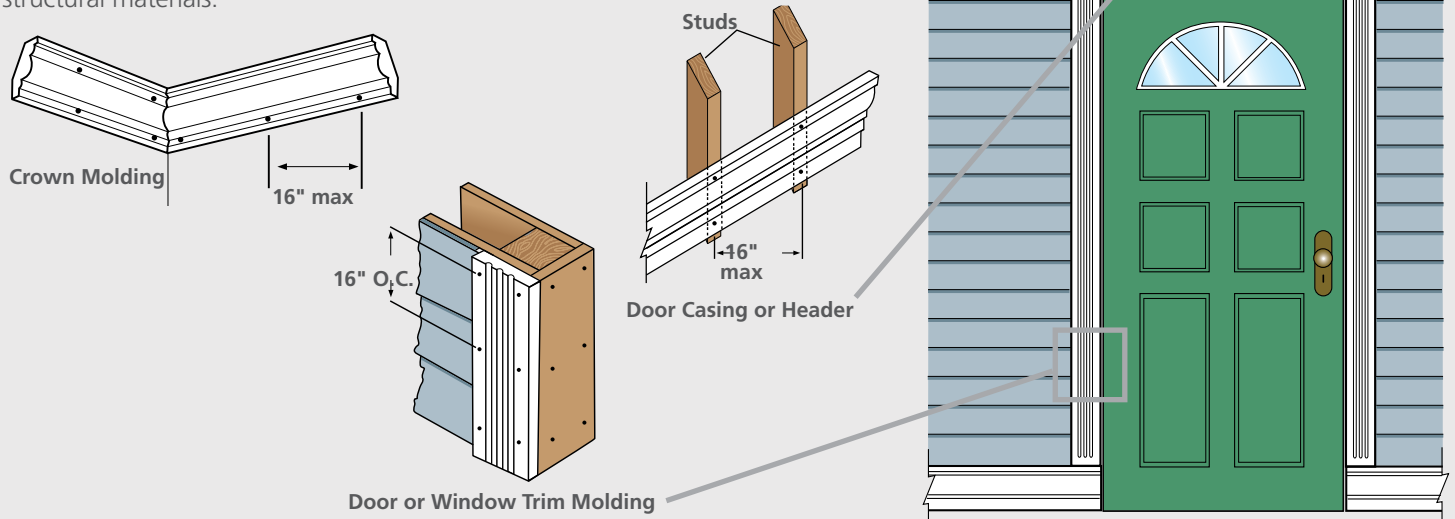
Examples of machining



\* It is the responsibility of the purchaser, general contractor, installer and others who are using or installing this product to assure that the product is installed properly and that all building codes and industry standards regarding the installation and use of composite wood trim products are followed.

## FASTENING REQUIREMENTS:

Extira panels are a non-structural composite product and should not be used where structural lumber properties are required. Extira panels are designed to be applied to structural framing, sheathing and other structural materials.

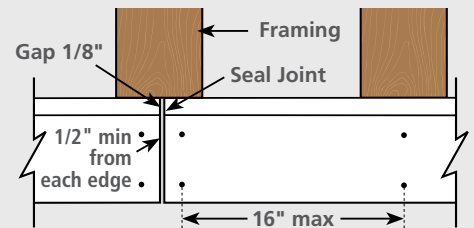


## BUTT JOINTS:

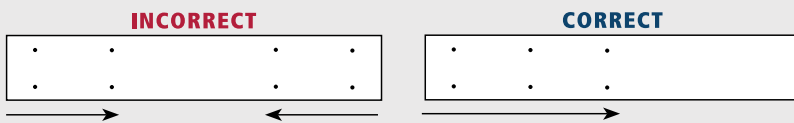
All joints must fall over a framing member.

- For runs less than 30' in length, butt joints should lightly touch.
- Space all butt and scarf joints over 30' 1/8" apart and apply flexible sealant into the full depth of the 1/8" joint.
- Joints must be double nailed on both sides as noted in the diagram.

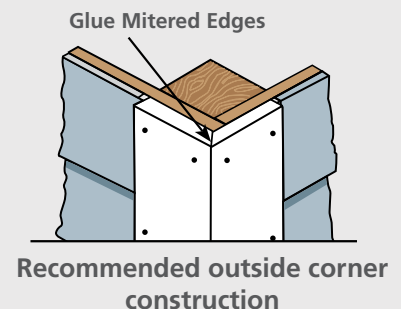
Note: Nail at least 1/2" from edge, but no more than 2" from edge. Do not nail into cut end of Extira panels. For fascia, Extira panels must be double nailed and fastened a maximum 24 inches-on-center. For all other applications, double nail 16" on center.



Double nail on both sides of butt joint



Fasten Extira panels from one end to the other end. DO NOT nail toward the center from both ends.



## FASTENERS:

Always use fasteners appropriate to the style of construction where the trim is installed.

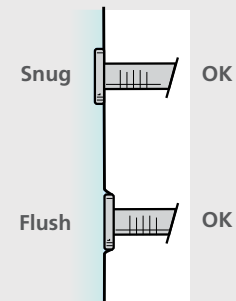
- Fasteners must be equal or better in performance (with properties such as nail withdrawal, bending strength and corrosion resistance) to 6d or 8d 16 gauge finish nails or headed nails, long enough to penetrate 1-1/4" into structural wood studs or studs and structural sheathing material.
- Use corrosion resistant nails.
- For buildings utilizing steel studs, use ET&F fasteners: AST-075 for 5/8" and 3/4" Extira and AST-100 for 1" Extira.
- For installations near oceans, large bodies of water or in high humidity climates, we recommend using stainless steel fasteners on Extira panels. For these installations, do not use electro-galvanized fasteners, due to poor long term rust resistance.
- For specific questions related to these installations, send an email to [support@miratecextira.com](mailto:support@miratecextira.com).

Tapered or bugle head fasteners are permitted when the heads are properly sealed from moisture.

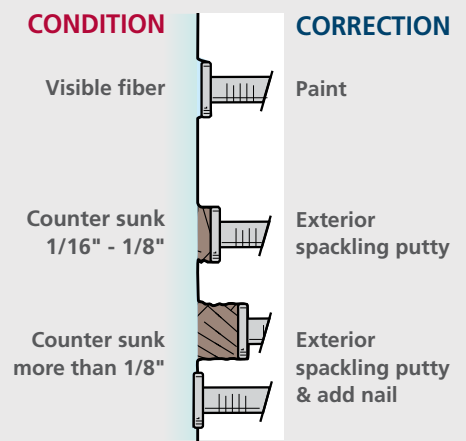
Nail heads, or any other dents, can be filled with exterior grade spackling putty specifically designed for filling nail holes. Allow putty to dry, then sand smooth with 100 grit sandpaper and spot prime before painting. Over time, spackling putty may need to be replaced or touched up.

**Use a nail that is appropriate to the style of construction.**

## CORRECT FASTENER DEPTHS

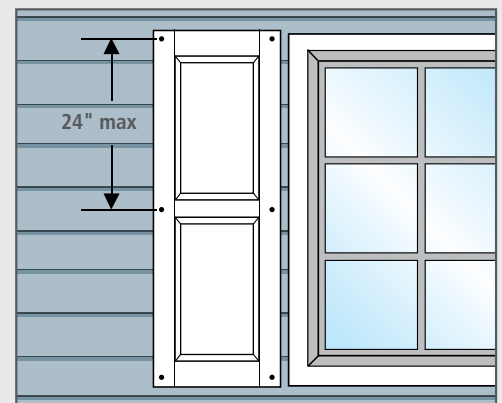


## INCORRECT FASTENER DEPTHS



## SHUTTERS:

Extira panels can be used to make decorative shutters. The shutter must be fastened to the structure 24" on center around the perimeter of the shutter as shown in the illustration. Functional shutters that open and close over a window will not be covered under the Extira warranty due to the inability to provide adequate fastening on the non-hinge side of the shutter.



## NON-RECOMMENDED APPLICATIONS

Because Extira panels are a non-structural product, applications without structural supports, including those in the list below, are not covered by the warranty:

- Barn doors
- Deck boards
- Fencing
- Planter boxes
- Railing
- Pergolas
- Siding
- Stairway components (treads, risers, stringers, etc)
- Trellis

## FLASHING AND MOISTURE CONTROL:

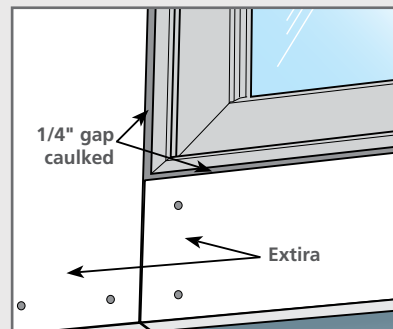
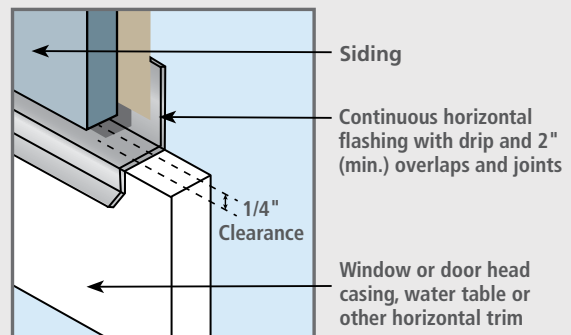
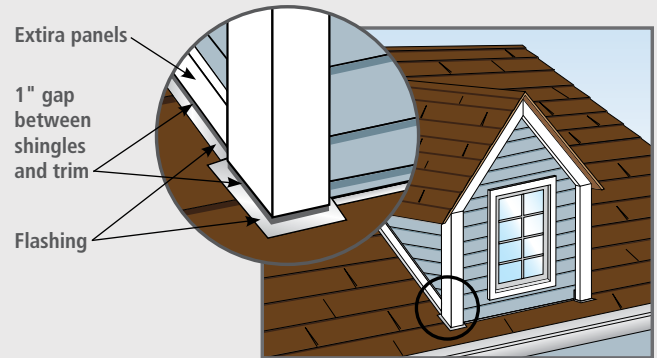
The structure on which Extira panels are applied should be well ventilated and dry. Do not apply moulding over wet sheathing, or any closer than 6" to finished grade or final landscaping.

As with all wood products, Extira panels must not come in direct contact with masonry or concrete.

- Properly flash and space at least 1/2" from any concrete flatwork (such as porches, patios, or driveways) or horizontal brick ledges.
- Flatwork should slope so water flows away from Extira panels.

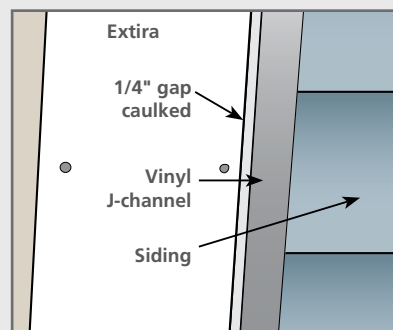
In all applications, Extira panels must not stand in water or have water accumulate near them.

- At foundations or exterior brick veneer, the product should be separated from the masonry by metal flashing, polyethylene film, 30 lb. felt or a 1/4" to 1/2" air space using masonry standoffs.
- For applications near rooflines when Extira panels are used as trim, such as dormers and chimneys, the trim should be installed with a minimum of 1" clearance between the roofing and the bottom edge of the trim. At the junction of the roofing material and vertical surfaces, flashing is required per the roofing manufacturers' application requirements and local building codes.
- Do not allow water to stand on or leak behind any Extira panels used as trim. Seal the trim applications to prevent water intrusion.
- Extira panels used as trim in a horizontal application, including window and door headers, must be properly flashed in accordance with the siding manufacturers', window manufacturers', or door manufacturers' application requirements and local building codes.



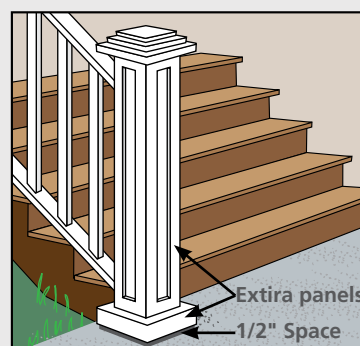
### Windows:

Maintain a min. 1/4" gap and fill with caulk, or backer rod and caulk, where the Extira is applied next to windows. If the window installation instructions call out a different gap, then default to their published instructions.



### Vinyl J-Channel:

Maintain a min. 1/4" gap and fill with caulk where the Extira butts against vinyl J-channel. This applies for both vertical and horizontal applications of trim and J-channel. Vinyl J-channel is not a substitute for flashing.



## SEALANT AND ADHESIVES:

Sealant is required at butt joints and where Extira panels abut siding, windows, doors or other materials. We recommend caulks and sealants that meet or exceed ASTM C920.

- Use only exterior quality sealant that remains flexible over time.
- Do not use hard-setting caulk.
- Apply caulk and sealant according to the manufacturer's written instructions.

Glues or adhesives can be used on Extira panels.

For a full listing of recommended sealants and more information on glues/adhesives visit [miratecextira.com](http://miratecextira.com).

## PAINTING/FINISHING REQUIREMENTS:

Extira panels are manufactured from wood and must be primed prior to installation and painted with an exterior coating system in accordance with the following specification within 90 days of installation to fulfill the Extira panel warranty requirements.

- All surfaces must be primed, including field cut edges and joints not exposed in the finished installation.

## PRIMER AND PAINT APPLICATION:

1. The surface must be free of dust, dirt, mildew and other foreign materials before priming.
2. Prime all surfaces prior to installation and paint all exposed surfaces and field-cut edges, including the bottom edge of Extira panels using a high quality exterior oil/alkyd solvent based or acrylic latex primer recommended by the paint manufacturer for application over composite wood substrates.
3. **A total field-applied dry film paint thickness of a minimum of 4 mils is required on Extira panels.** This requires the application of a primer and two or more unthinned coats of topcoat at the spread rate recommended by the paint manufacturer.

**Note: The paint manufacturer may require a specific primer and topcoat combination. Use of primer and/or topcoats should be determined according to the manufacturer's recommendations.**

## STORAGE:

**Improper storage causing moisture accumulation will void the warranty.**

Inside storage of Extira panels is recommended and preferred. Cover when stored outside. Keep Extira panels off the ground and dry. Excessive moisture pickup from improper storage may affect the performance of Extira panels and will void the warranty. Do not stack material in excess of 3 units high.

For job site storage, the material should be placed on stringers and covered, preferably on concrete, asphalt, or a similar surface. For all other ground materials, a tarp should be placed over the ground cover under the stringers, with the material still under cover.

If the panels do become wet on the job site, allow the material to fully dry before application. Do not apply Extira panels that are wet; wet panels may shrink after application.

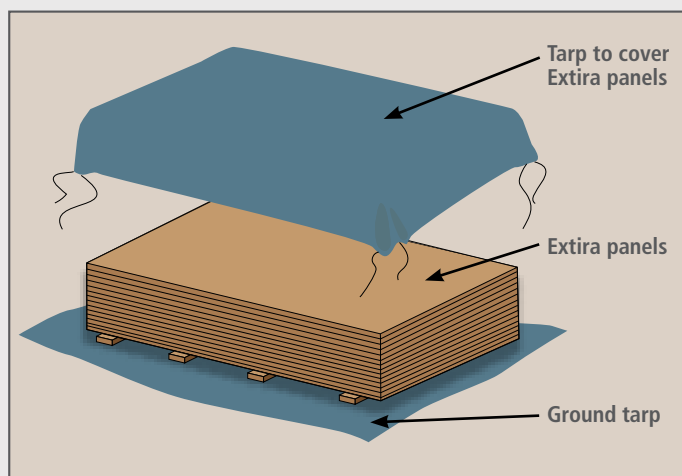
- Use a field finish system recommended by the paint manufacturer for use on a composite wood product.
- Always follow the paint manufacturer's recommendations for the application and maintenance of field-applied primer and paints. Test the coating system on a small area of Extira panel first before finishing large pieces.

## We do not recommend using the following coatings:

- Shake and shingle paints
- Vinyl acrylic paint\*
- Vinyl acetate co-polymer paint
- Vinyl acetate paint
- Clear coatings
- Flat oil paint
- Transparent or semi-transparent stains
- Opaque solvent stains

\* Although vinyl acrylic exterior paints contain acrylic resin and may be readily available, they are generally of lower quality and will not last as long as 100% acrylic paints. If you are unsure, ask your paint supplier.

JELD-WEN, Inc. is not responsible for the performance of finishes. Finish performance is dependent upon coating quality and application methods. These factors are controlled by the finish manufacturer and applicator.



**IMPORTANT:** Read and understand all application instructions before installing material. The statements expressed in this technical bulletin are the recommendations for the application of the products as outlined and illustrated under normal conditions of installation. JELD-WEN, Inc. is a manufacturer of building materials. It does not practice architecture or engineering. The recommendations provided in this bulletin represent JELD-WEN, Inc.'s best judgment based on JELD-WEN, Inc.'s experience to date with normal applications. These instructions supplement standard building practices and building code requirements; they are not to be deemed exclusive or exclusionary of these practices and requirements. Unless prior approval is obtained in writing from the Product Performance Department of JELD-WEN, Inc., PO Box 311, Towanda, PA 18848, any deviation from these recommended procedures shall be at the risk of the installers.

These application instructions are the minimum requirements for the storage, application, and finishing of the products manufactured by JELD-WEN, Inc. Where building code requirements or standards are more restrictive, the applicable regulations must be followed. Consult your local Representative or the Product Performance Department for conditions not covered by this bulletin. All drawings are shown for illustration purposes only and are not to scale. Adequate design and bracing of the walls, as well as compliance with these application instructions, are the responsibility of the architect, builder, applicator and painter.



**WARNING:** Drilling, sawing, sanding or machining wood products can expose you to wood dust, a substance known to the State of California to cause cancer. Avoid inhaling wood dust or use a dust mask or other safeguards for personal protection. For more information go to [www.P65Warnings.ca.gov/wood](http://www.P65Warnings.ca.gov/wood).





# LIMITED WARRANTY

EFFECTIVE JANUARY 1, 2016 TO CURRENT

## Extira® Treated Exterior Panel Limited Warranty

This warranty is effective for all Extira Products<sup>1</sup> manufactured on or after February 1, 2016 for use in the United States and Canada. Any previous warranties will continue to apply to products sold under the Extira name prior to this date. For additional information, including care and maintenance information refer to [www.miratecextira.com](http://www.miratecextira.com).

### What This Warranty COVERS...

We warrant to the original owner<sup>2</sup> that if your Extira Product exhibits a defect in material or workmanship within ten (10) years of the date of original purchase, we will pay for the replacement of the Product, limited to the original purchase price of the failed Product according to the following schedule:

|   |      |
|---|------|
| Up to and including the 1st anniversary of the purchase date (Year 1) | 100% |
| Years 2   | 90%  |
| Years 3   | 80%  |
| Years 4   | 70%  |
| Years 5   | 60%  |
| Years 6   | 50%  |
| Years 7   | 40%  |
| Years 8   | 30%  |
| Years 9   | 20%  |
| Years 10  | 10%  |
| After the 10th anniversary of the purchase date                       | 0%   |

**Transferability:** This warranty is not transferable.

### How to Get Assistance...

If you have a problem with your Extira Product, immediately upon discovery, contact the distributor or dealer from whom you purchased our product or contact us directly:

**Email:** [warranty@miratecextira.com](mailto:warranty@miratecextira.com)

**Phone:** 888-594-3578

We can respond quickly and efficiently if you provide the following: a) date and location of purchase, b) how to contact you, c) the address where the product can be inspected, and d) a description of the apparent problem and the product (photographs are helpful).

### What We Will Do...

Upon receiving your notification, we will send out an acknowledgment, usually within three business days of receipt to the contact identified. We will investigate your claim and will begin to take appropriate action within 30 days after receipt of notification. If your warranty claim is denied, we may charge an inspection fee for an on-site inspection that is required or requested by you.

If your claim is accepted, and we choose to repair or replace the product or a component of the product, the replacement product/component will be provided in the same specification as the original product. Replacement products, components and services are warranted for the balance of the original product or service warranty, or 90 days, whichever is longer.

### What This Warranty Does Not Cover...

We are not liable for damage, product failure or poor product performance due to:

- Normal wear and tear, and natural weathering of surfaces or variations in the color or texture of field-finished coating; surface cracks that are less than 1/32" in width and/or 1" in length.
- Exposure to chemicals (e.g. brick wash), a harsh environment (e.g., airborne pollutants, or prolonged contact with or immersion in liquid water), or direct contact with soil.
- Misuse, abuse or failure to properly store, handle, finish and provide maintenance for the Product.
- Alteration or modification of the Product.
- Any cause beyond our reasonable control (e.g. fire, flood, earthquake, other acts of nature, and acts of third parties outside of our control).
- Problems related to: improper field finishing of all exposed surfaces and edges of the panel (See our Finishing Instructions at [www.miratecextira.com](http://www.miratecextira.com)); variation or unsatisfactory results in sheen or texture resulting from the field application of paint or any other coating material.

### (What This Warranty Does Not Cover, continued)

- Warp, including but not limited to:
  - Any claim related to functional shutters (those fastened to a structure with hinges on only one side).
  - Warp or bowing on decorative shutters when mechanically fastened at greater than 24" on center around the perimeter of each side.
- Flaws in structure design and construction; installation into a condition that exceeds product design standards and/or is not in compliance with building codes.
- Hardware or accessories.

### We are also not liable for:

- Cost for labor, removal or disposal of defective product(s), freight, taxes or any other charge related to a failed product, installation or finishing of replacement panels.
- Incidental or consequential damage. Some states/provinces do not allow the exclusion or limitation of incidental or consequential damages, so this may not apply to you.

### IMPORTANT LEGAL INFORMATION -- Please read this carefully. It affects your rights.

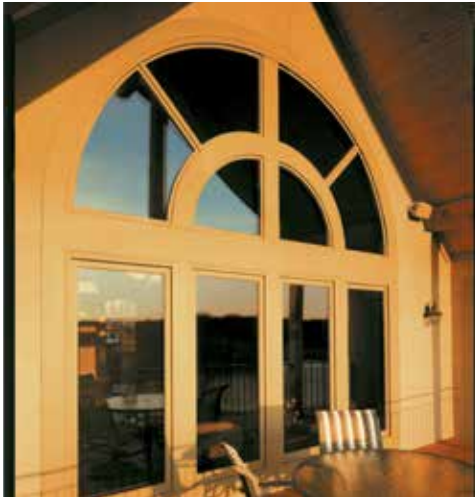
This Limited Warranty document sets forth our maximum liability for our products. We shall not be liable for special, indirect, consequential, or incidental damages. Your sole and exclusive remedy with respect to any and all losses or damages resulting from any cause whatsoever shall be as specified above. We make no other warranty or guarantee, either express or implied, including implied warranties of merchantability and fitness for a particular purpose to the original purchaser or to any subsequent user of the Product, except as expressly contained herein. In the event state or provincial law precludes exclusion or limitation of implied warranties, the duration of any such warranties shall be no longer than, and the time and manner of presenting any claim thereon shall be the same as, that provided in the express warranty stated herein. This Limited Warranty document gives you specific legal rights, and you may have other rights that vary from state/province to state/province.

Any dispute, controversy or claim arising out of or relating to this warranty, any alleged breach thereof, or the use or sale of the products to which this warranty applies shall be resolved by mandatory and binding arbitration administered by the American Arbitration Association in accordance with its commercial arbitration rules. Any ensuing arbitration will be venued in Charlotte, North Carolina. Original purchaser agrees that they may assert claims against JELD-WEN in their individual capacity only, and not as a plaintiff or class member in any purported class action proceeding. This warranty shall be interpreted in accordance with the laws of North Carolina (excluding North Carolina's conflict of laws principles). If any provision of this warranty is deemed illegal or unenforceable in a judicial proceeding, that provision shall be severed and excluded, and the remainder of this warranty shall continue in force. Rejection of these dispute resolution provisions must be sent to JELD-WEN at the address provided herein within thirty (30) days of original purchaser's receipt of the Products to which this warranty applies.

No distributor, dealer or representative of Extira products has the authority to change, modify or expand this warranty. The original purchaser of this Product acknowledges that they have read this warranty, understand it and are bound by its terms and agrees to provide this warranty to the original owner of the structure into which the Product is installed.

1 "Extira Products" shall refer to exterior treated panels manufactured and marketed by JELD-WEN under the Extira brand name for use in the United States and Canada.

2 This warranty extends to the original owner (original owner means the contractor/dealer/distributor/purchaser and the initial owner of the structure where the product is initially installed) and is not transferable. The original purchaser of this product acknowledges that they have read this warranty, understand it and are bound by its terms and agrees to provide this warranty to the original owner of the structure into which the product is installed. Should state or provincial law preclude no transferability, then the warranty period is effective as applicable up to ten (10) years from the date of initial purchase.



© 2023 JELD-WEN, Inc. Trademarks shown are owned by JELD-WEN, Inc. or licensed by third parties. All rights reserved. 1013 9/23

**EXTIRA**<sup>®</sup>



**1.800.255.0785 | [miratecextira.com](http://miratecextira.com)**